

FAG

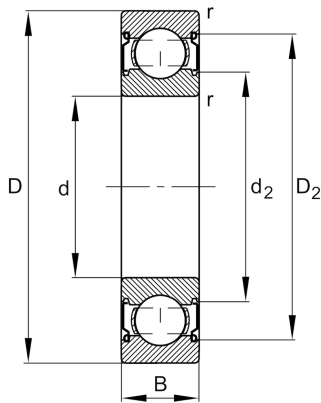
6209-C-2Z

Deep groove ball bearing

Schaeffler ID:
0822994200000

Deep groove ball bearing 62...-C-2Z, single row, Generation C, shields, steel sheet metal cage

Technical information

**Dimensions**

r_{\min}	1.1 mm	Minimum chamfer dimension
D_2	75.5 mm	Caliber diameter outer ring
d_2	53.9 mm	Caliber diameter inner ring
	0.405 kg	Weight

Main Dimensions & Performance Data

d	45 mm	Bore diameter
D	85 mm	Outside diameter
B	19 mm	Width
C_r	33,500 N	Basic dynamic load rating, radial
C_{0r}	20,300 N	Basic static load rating, radial
C_{ur}	1,390 N	Fatigue load limit, radial
n_G	10,800 1/min	Limiting speed
n_{gr}	9,900 1/min	Reference speed

Mounting dimensions

$d_{a\min}$	52 mm	Minimum diameter shaft shoulder
$D_{a\max}$	78 mm	Maximum diameter of housing shoulder
$r_{a\max}$	1.1 mm	Maximum fillet radius

Calculation factors

f_0	14.3	Calculation factor
-------	------	--------------------

Temperature range

T_{\min}	-20 °C	Operating temperature min.
T_{\max}	120 °C	Operating temperature max.

